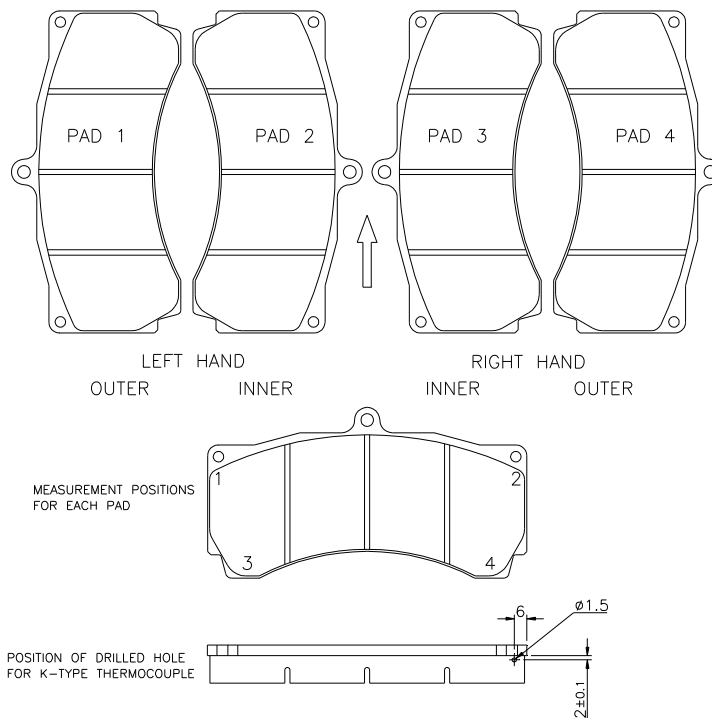


### Alcon 2 pad caliper pad wear data sheet

1. Data

<i>Track</i>		<i>Date</i>	
<i>Driver</i>		<i>Miles</i>	
<i>Pad Compound</i>			

2. Measure and record thickness of each pad in the positions shown.



**Front caliper**

<i>Pad 1</i>				<i>Pad 2</i>				<i>Pad 3</i>				<i>Pad 4</i>			
1	2	3	4	1	2	3	4	1	2	3	4	1	2	3	4

**Rear caliper**

<i>Pad 1</i>				<i>Pad 2</i>				<i>Pad 3</i>				<i>Pad 4</i>			
1	2	3	4	1	2	3	4	1	2	3	4	1	2	3	4

3. Ensure that each pad is always replaced in its original position in the calipers. Failure to do so will cause brake judder and affect pedal travel.